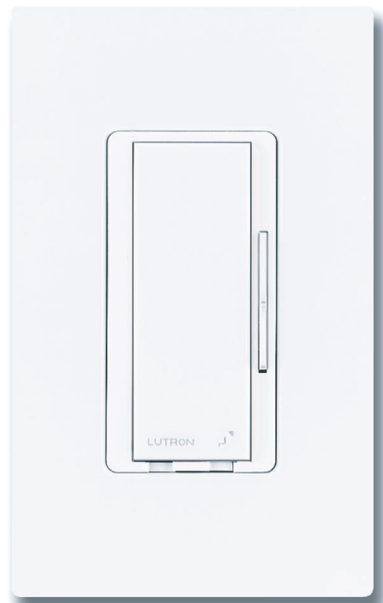
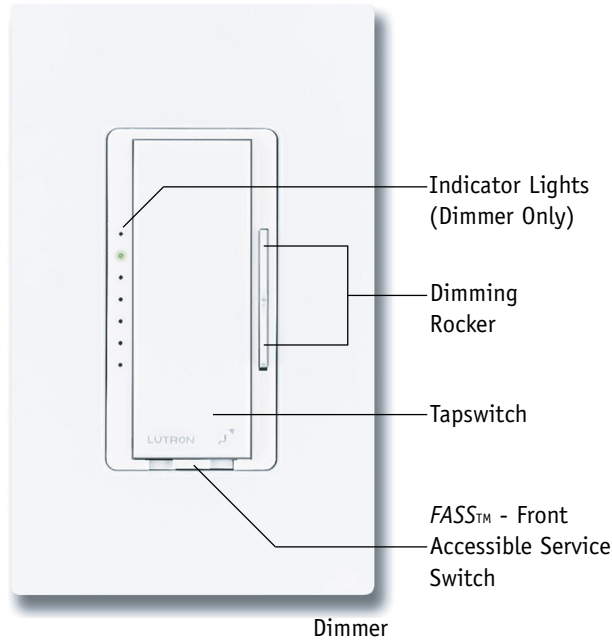


HomeWorks Wired Maestro Dimmers



DESCRIPTION

HomeWorks Wired Maestro Dimmers, used in both localized and optimized lighting control designs, function much like standard dimmers, and have an integral microprocessor, allowing them to be incorporated into the whole-house lighting control system. Local dimmers are useful in locations where single circuits of lighting need to be dimmed and local control is desired. HomeWorks Maestro Dimmers incorporate advanced features such as fade on/fade off, long fade to off, and rapid full on. HomeWorks Maestro Dimmers include a Front Accessible Service Switch for safe lamp replacement. All HomeWorks Maestro Dimmers can be installed in either single pole or 3-way applications.

HomeWorks Wired Maestro Dimmers may be used with HomeWorks Maestro Remote Dimmers to provide dimming control from up to 9 additional locations.

MODEL NUMBERS

Dimmers

- HWD-6D-XX 600 W Incandescent/MLV Dimmer
- HWD-6ND-XX 600 W Incandescent/MLV Neutral Wire Dimmer
- HWD-10D-XX 1000 W Incandescent/MLV Dimmer
- HWD-10ND-XX 1000 W Incandescent/MLV Neutral Wire Dimmer

Remote Dimmers

- HD-RD-XX Remote Dimmer

“XX” in the model number represents color/finish code.

<p>JOB NAME:</p> <p>JOB NUMBER:</p>	<p>MODEL NUMBERS:</p>
--	-----------------------

SPECIFICATIONS

Regulatory Approvals

- UL Listed.
- CSA Certified.

Power

Operating voltage: 120/127VAC, 50/60Hz.

Key Design Features

- Green indicator lights.
- Tested to withstand electrostatic discharge without damage or memory loss, in accordance with IEC 6100-4-2.
- Tested to withstand surge voltages without damage or loss of operation, in accordance with IEEE C62.41-1991 Recommended Practice on Surge Voltages in Low-Voltage AC Power Circuits.
- Dimmers operate locally and do not require system control.
- Power failure memory: should power be interrupted, the lights will return to their previously set level prior to the interruption when power is restored.
- Multiple location dimming from Dimmer and up to 9 Remote Dimmer(s).
- Uses conventional 3-way and 4-way wiring.
- On a single-tap, lights fade ON or OFF.
- On a double-tap, lights go to full ON.

- When ON, press and hold to engage long fade to OFF.
- Light levels can be fine-tuned by pressing and holding the dimming rocker until the desired light level is reached.
- Use Lutron Designer (Claro® or Satin Colors™) wallplates or designer-style wallplates from other manufacturers (when using metal wallplates from other manufacturers, it is recommended that a Midnight (MN) dimmer be used). Wallplates are sold separately.
- Lutron *Claro* and *Satin Colors* wallplates snap on with no visible means of attachment.
- Requires a 1-gang U.S. wallbox. 3-1/2 in. (89mm) deep recommended, 2-1/4 in. (57mm) deep minimum.

System Communications and Capacity

- Dimmers are wired to a *HomeWorks* Dimmer Hub (HWI-H48). One pair twisted shielded #22-18 AWG (0.5-1.0mm²) Class 2/PELV wiring.
- Each *HomeWorks* Dimmer Hub (HWI-H48) is capable of directly controlling up to 48 dimmers. Up to 8 dimmers may be wired to a single bus on the HWI-H48. Refer to Class 2/PELV Wiring.

Environment

Ambient operating temperature: 0-40°C, 32-104°F, 0-90% humidity, non-condensing. Indoor use only.

Warranty

- 8 Year Limited Warranty.

COLOR / FINISH CODES

Dimmer Color (code)

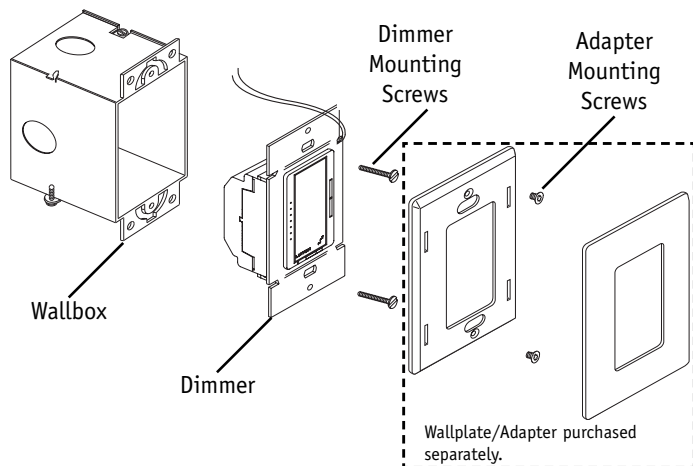
Designer Gloss Colors

White	(WH)
Ivory	(IV)
Almond	(AL)
Light Almond	(LA)
Gray	(GR)
Brown	(BR)
Black	(BL)

Satin Colors Matte Finishes

Hot	(HT)
Ochre	(OC)
Terracotta	(TC)
Desert Stone	(DS)
Stone	(ST)
Limestone	(LS)
Blue Mist	(BT)
Midnight	(MN)
Taupe	(TP)
Eggshell	(ES)
Biscuit	(BI)
Snow	(SW)

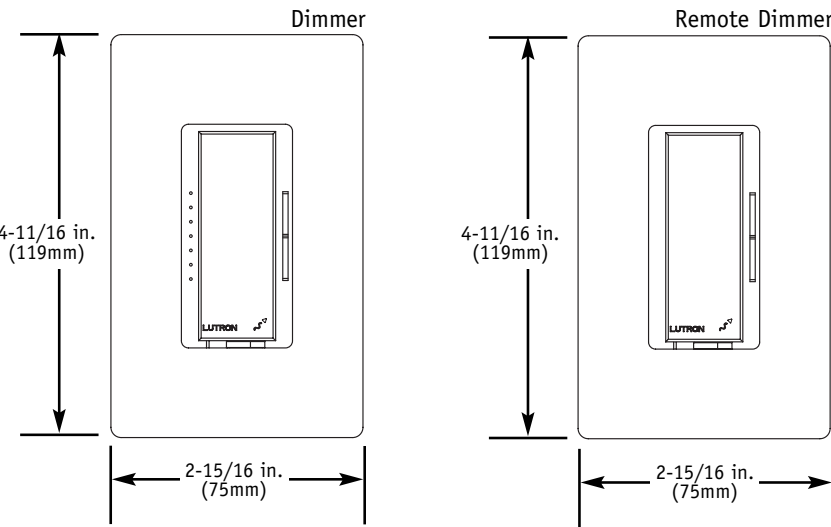
MOUNTING



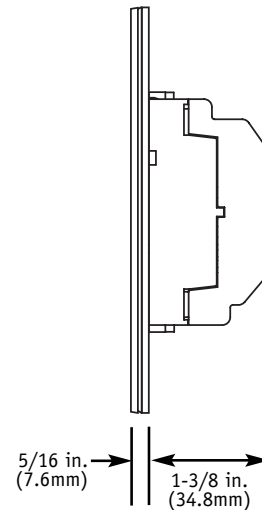
JOB NAME:	MODEL NUMBERS:
JOB NUMBER:	

DIMENSIONS

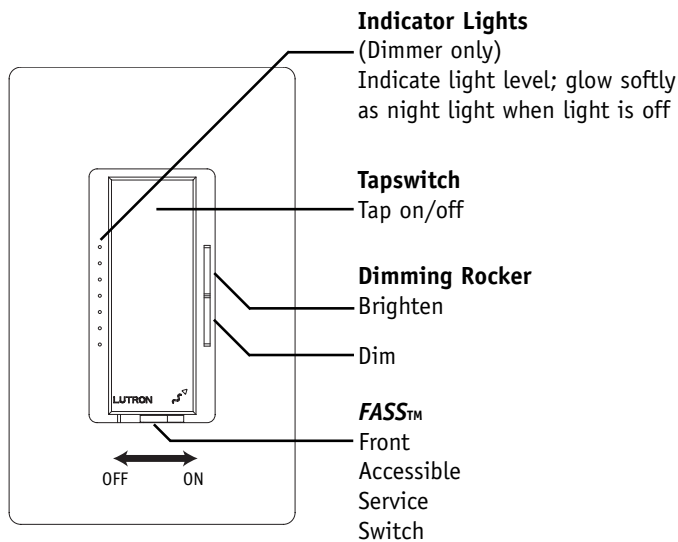
Front View



Side View



DIMMER OPERATION



IMPORTANT NOTICE:
 FASS - Front Accessible Service Switch - to replace bulb, remove power by sliding FASS switch to the left on either the Dimmer or Remote Dimmer. After replacing bulb, slide the FASS switch to the right to operate the dimmer.

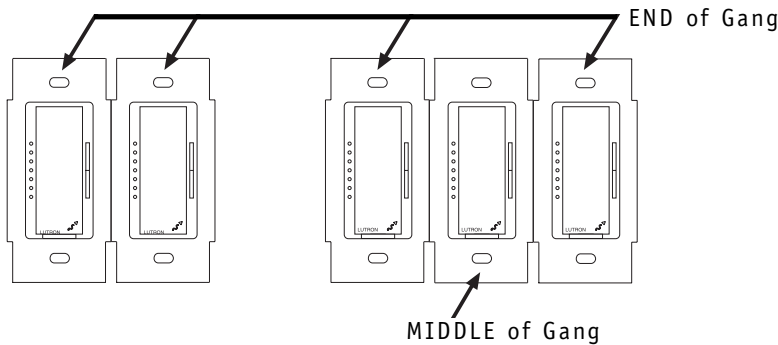
JOB NAME:	MODEL NUMBERS:
JOB NUMBER:	

DIMMER LOAD TYPE/CAPACITY

		HWD-6D	HWD-6ND	HWD-10D	HWD-10ND
LOAD TYPE		Incandescent, Magnetic Low-Voltage	Incandescent, Magnetic Low-Voltage	Incandescent, Magnetic Low-Voltage	Incandescent, Magnetic Low-Voltage
MINIMUM LOAD		50W/VA	10W/VA	50W/VA	10W/VA
MAXIMUM CAPACITY	INC	600W	600W	1000W	1000W
	MLV	600VA (450W)	600VA (450W)	1000VA (800W)	1000VA (800W)
	ELV	N/A	N/A	N/A	N/A
NEUTRAL WIRE		NO	YES	NO	YES

GANGING AND DERATING

When ganging dimmers with other dimmers or controls in the same wallbox, derating is required.



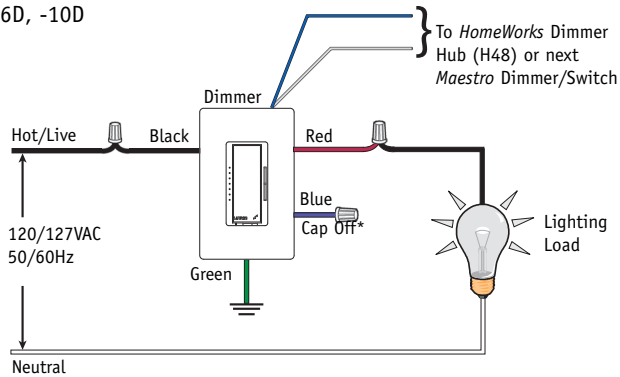
For multi-gang installations, derate load capacities as follows:

Model No.	End of Gang		Middle of Gang	
	Incandescent	MLV	Incandescent	MLV
HWD-6D	500W	500VA (375W)	400W	400VA (300W)
HWD-6ND	500W	500VA (375W)	400W	400VA (300W)
HWD-10D	800W	800VA (650W)	650W	650VA (500W)
HWD-10ND	800W	800VA (650W)	650W	650VA (500W)

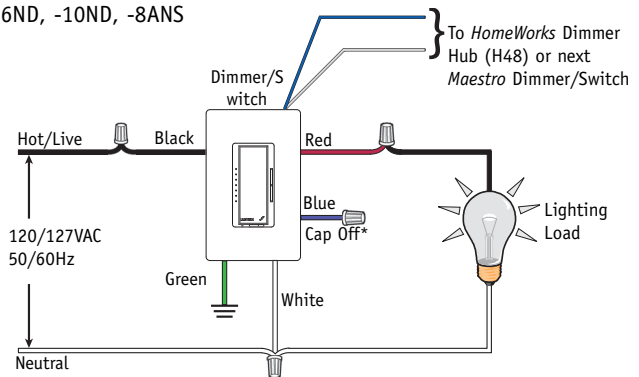
JOB NAME:	MODEL NUMBERS:
JOB NUMBER:	

WIRING DIAGRAMS

Single Location Installation
-6D, -10D

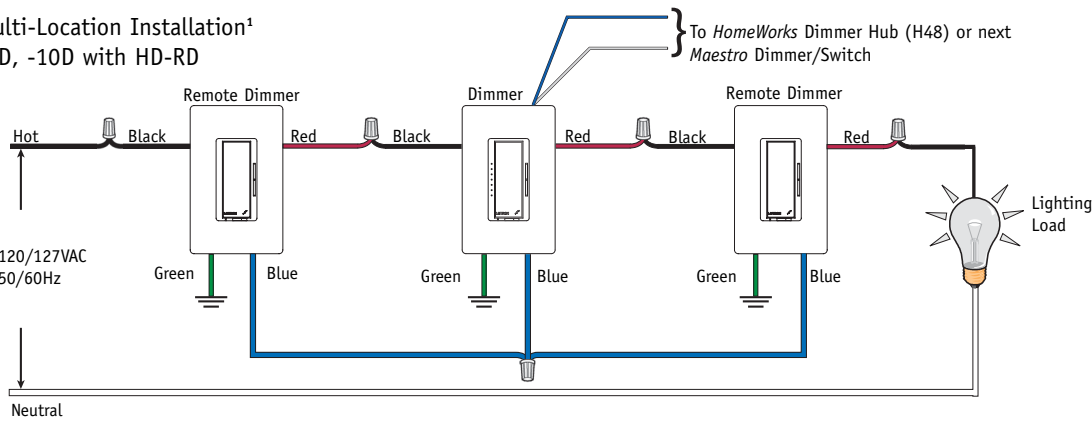


Single Location Installation with Neutral
-6ND, -10ND, -8ANS

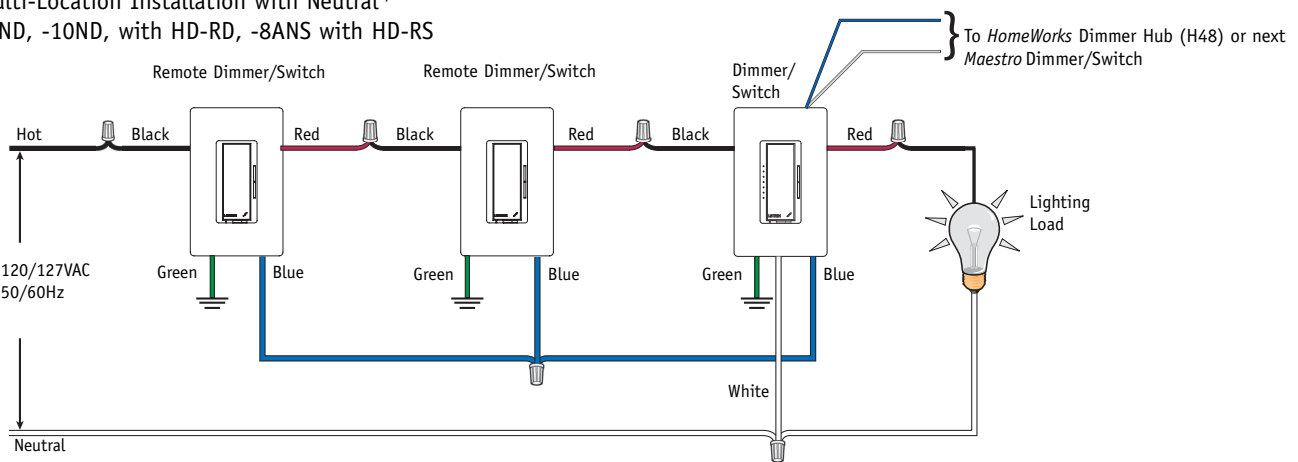


*When using controls in single location installations, cut off the uninsulated portion of the control's multi-location wire (blue wire) and cap off using one of the provided wire connectors. **DO NOT** connect the blue wire to any other wiring or to ground.

Multi-Location Installation¹
-6D, -10D with HD-RD



Multi-Location Installation with Neutral^{1, 2}
-6ND, -10ND, with HD-RD, -8ANS with HD-RS



¹ Up to 9 HomeWorks Maestro Remote Dimmers/Switches may be connected to the HomeWorks Wired Maestro Dimmer/Switch. Total blue wire length may be up to 250 ft. (76m).

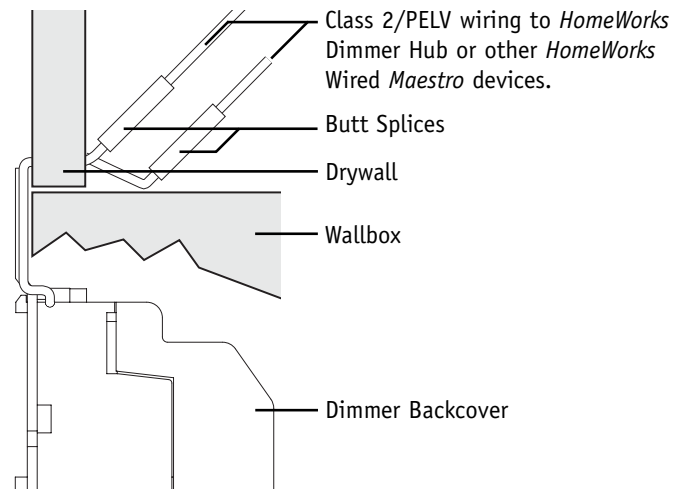
² Neutral wire Dimmers/Switches must be connected on the Lighting Load side of a multi-location installation.

JOB NAME:	MODEL NUMBERS:
JOB NUMBER:	

CLASS 2/PELV WIRING

Dimmer communications wiring may be in a daisy-chain, star, or t-tap configuration. Each home run on a bus may be up to 500 ft. (152m) and may contain up to 8 devices. The total length of wire on each bus (all home runs) may be up to 1000 ft. (305m). Up to 48 HomeWorks Wired Maestro Dimmers or Switches may be wired to the HomeWorks Dimmer Hub (HWI-H48). Up to four HWI-H48s may be placed on each processor link configured as an H48 link in the HomeWorks Utility.

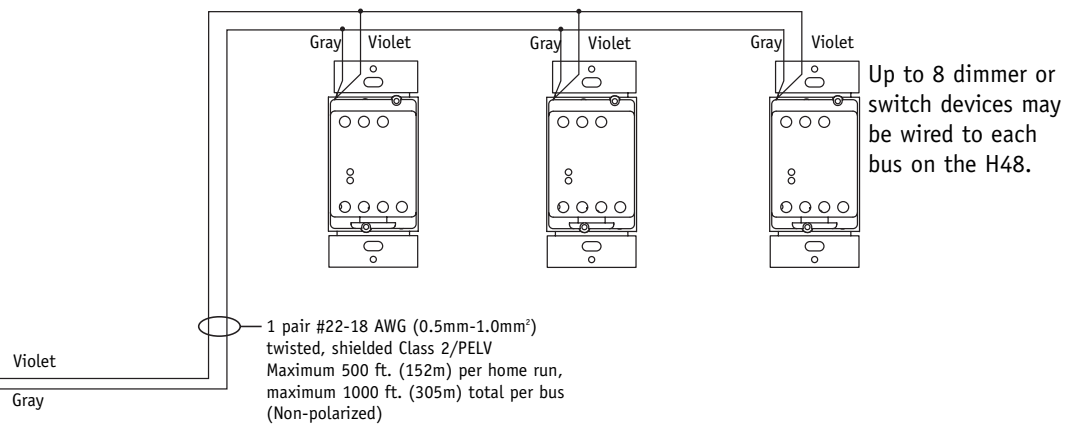
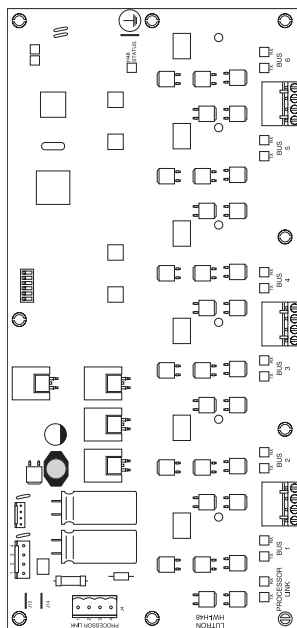
Dimmer Side View



CLASS 2/PELV WIRE TYPE

One pair #22-18 AWG (0.5 - 1.0mm²) twisted, shielded Class 2/PELV.

HWI-H48 Dimmer Hub



<p>JOB NAME:</p>	<p>MODEL NUMBERS:</p>
<p>JOB NUMBER:</p>	